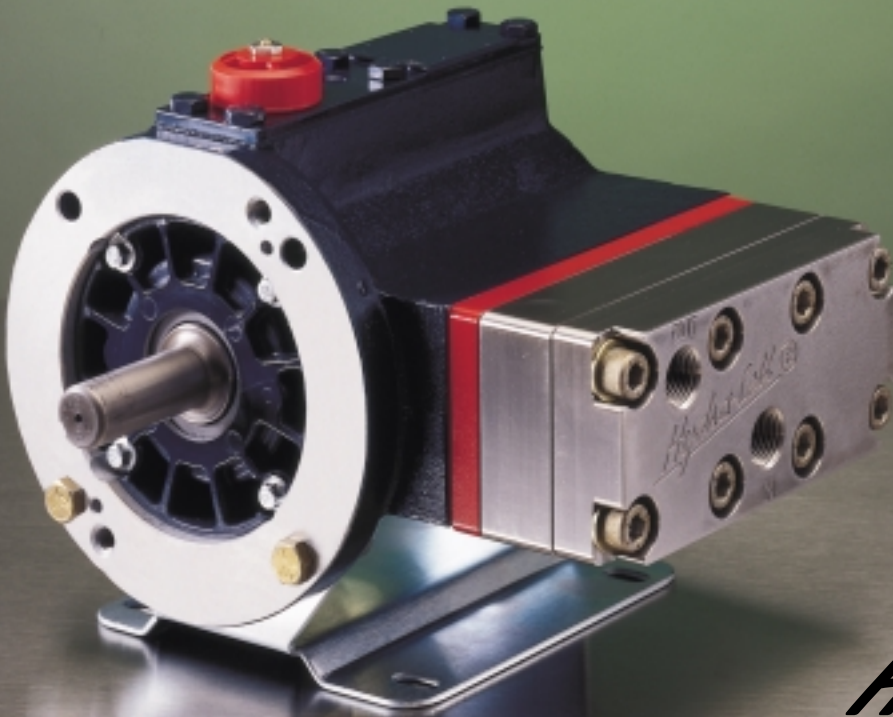


D/G-04 Series

Up to 3.0 gpm (11.3 l/min)



Hydra-Cell[®]
SIMPLY BUILT TO LAST

D/G-04 Series Performance

flow

model	max flow gpm	max flow l/min	max input rpm
D/G-04-X	2.9	11.0	1750
D/G-04-E	2.1	7.8	1750
D-/G04-S	1.6	6.1	1750

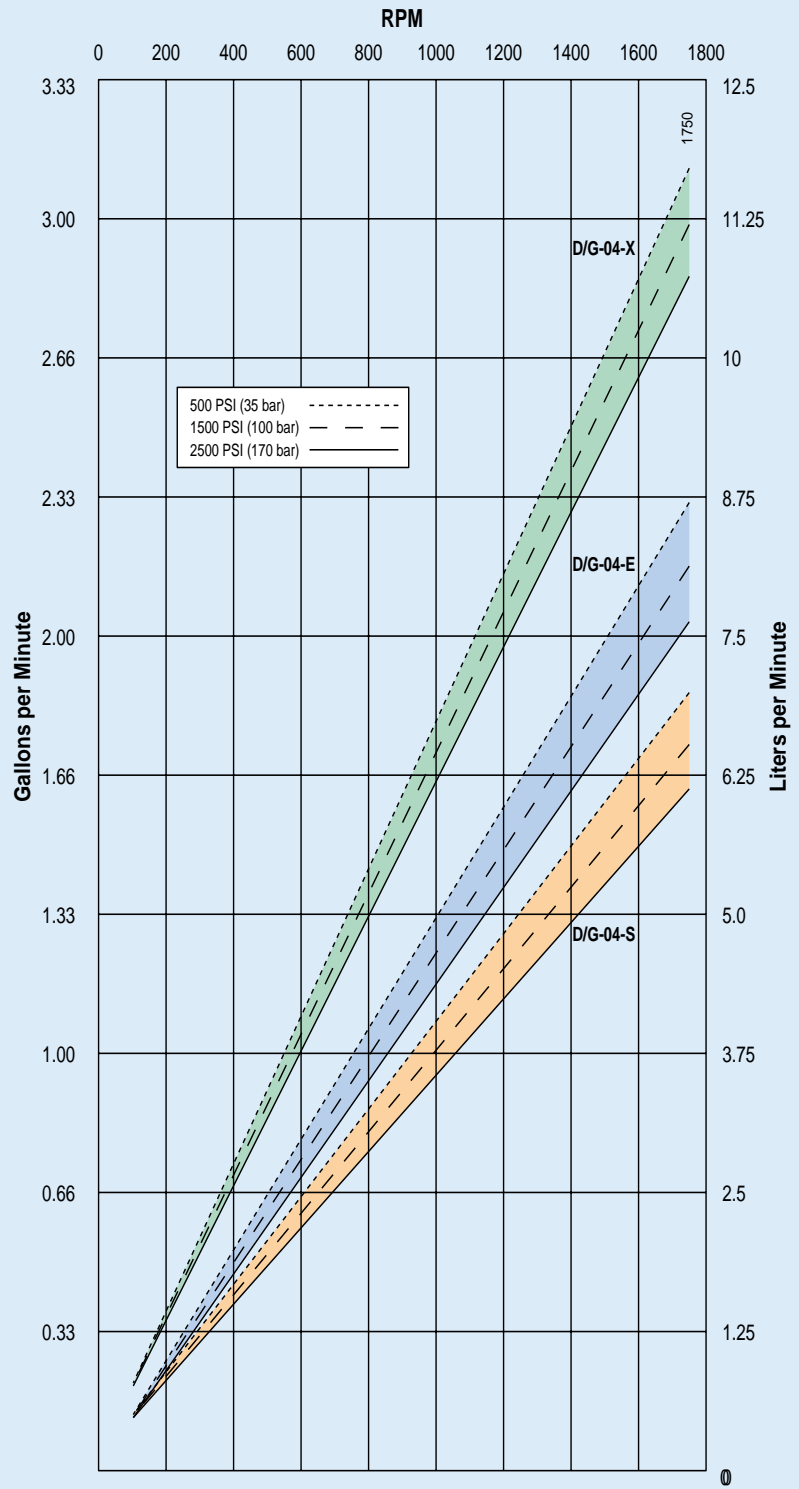
pressure

Maximum Inlet Pressure:

500 psi (35 bar)

Pressure Variable To:

2500 psi (170 bar)



Calculating Required Horsepower (kW)**

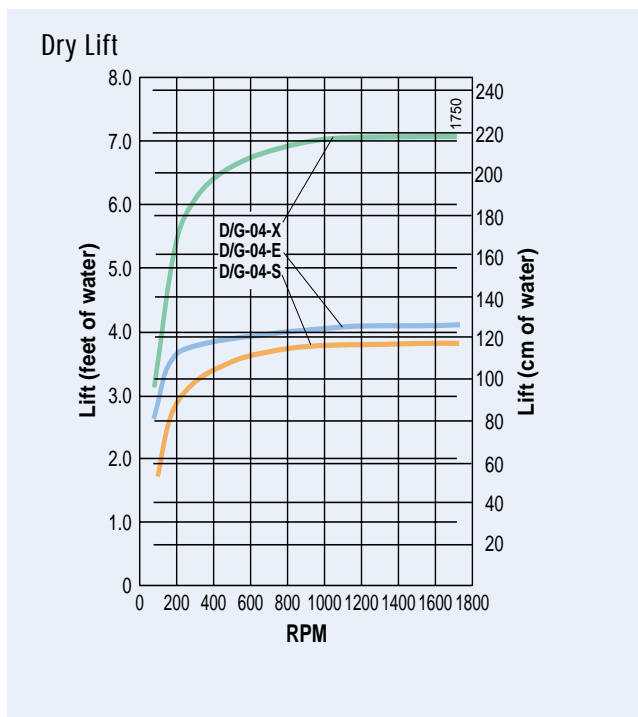
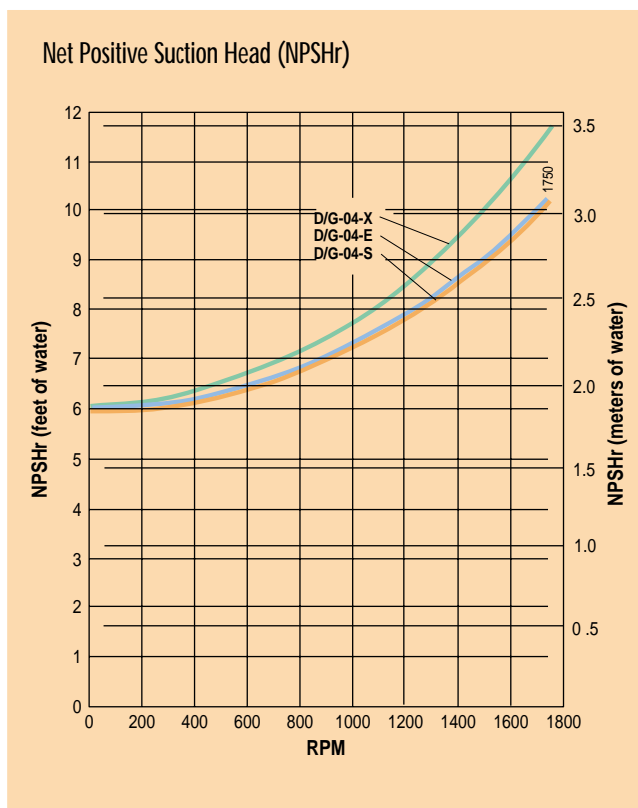
$$\frac{6 \times \text{rpm}}{63,000} + \frac{\text{gpm} \times \text{psi}}{1,460 - \left(\frac{\text{psi}-500}{20}\right)} = \text{electric motor HP}$$

$$\frac{6 \times \text{rpm}}{84,428} + \frac{\text{lpm} \times \text{bar}}{511 - \left(\frac{\text{bar}-35}{4}\right)} = \text{electric motor kW}$$

**rpm equals pump shaft rpm. HP/kW is required application power. Use caution when sizing motors with variable speed drives.

D/G-04 Series Specifications

Max Pressure	2500 psi (170 bar)		
Capacity @ Max Pressure	rpm	gpm	l/min
D/G-04-X	1750	2.9	11.0
D/G-04-E	1750	2.1	7.8
D/G-04-S	1750	1.6	6.1
Delivery @ Max Pressure	revs/gal		
	500 psi	1500 psi	2500 psi
D/G-04-X	565	583	603
D/G-04-E	761	795	833
D/G-04-S	921	972	1093
	revs/liter		
	35 bar	100bar	170 bar
D/G-04-X	149	154	159
D/G-04-E	201	211	224
D/G-04-S	244	257	287
Max Inlet Pressure	500 psi (35 bar)		
Max Temperature	250°F (121°C) – Consult factory for correct component selection for temperatures above 160°F (71°C)		
Inlet Port	D-04: 1/2 inch NPT; G-04: 1/2 inch BSPT		
Discharge Port	D-04: 1/2 inch NPT; G-04: 1/2 inch BSPT		
Shaft Diameter	7/8 inch (22.22 mm)		
Shaft Rotation	Bi-directional		
Bearings	Ball bearings		
Oil Capacity	1.1 U.S. quart (1.05 liters), see Accessories Section for oil selection and specification.		
Weight	37 lbs (16.8 kg)		



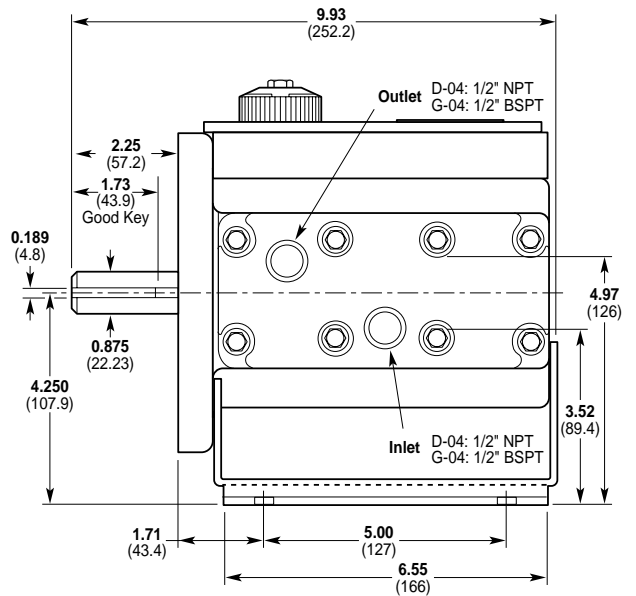
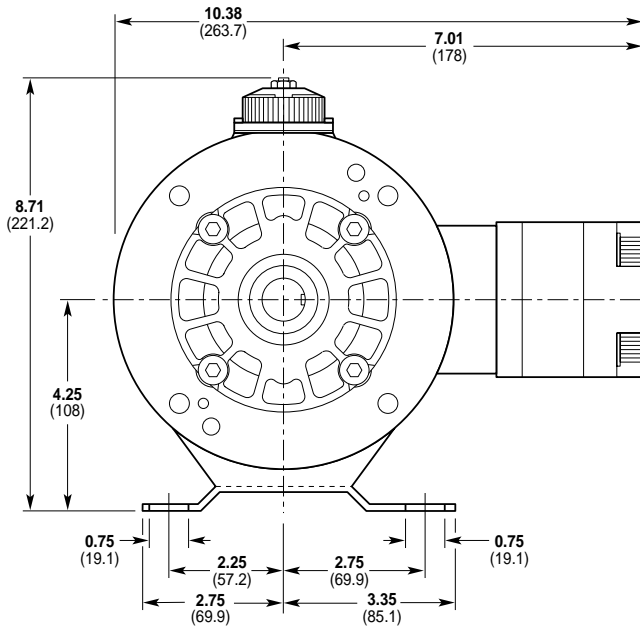
Refer to installation guidelines and design considerations for additional information.

D/G-04 Series Dimensions

D/G-04 Models with Metallic Pumping Head

Brass
304 Stainless Steel
316 Stainless Steel

– Note
*D/G-04 Pump/Motor Adapter
flange ordered separately
(see accessories, page 46)*



D/G-04 Series Options

Materials of Construction

Hydra-Cell pumps are manufactured in a variety of heavy-duty materials to meet specific pumping needs. Refer to the design section for more information on appropriate material selection and chemical compatibility. Other customized materials are available by special order. Contact factory application engineering department for further information.



Pumping Head
304 Stainless Steel
316 Stainless Steel
Brass



Valves
17-4 PH Stainless Steel
Tungsten Carbide
Nitronic 50



Diaphragms & O-rings
Buna-N-XS
Viton®-XT



Valve Springs
316 Stainless Steel
Elgiloy®
Hastelloy® C



Valve Seats
17-4 PH Stainless Steel
Tungsten Carbide
Nitronic 50



Valve Spring Retainers
17-7 PH Stainless Steel
Celcon®
Kynar®
Polypropylene
Nylon

D/G-04 Series Accessories

Options, Accessories and Custom Designs

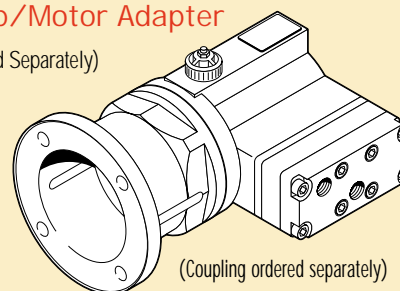
See the Accessories Section for complete information on these other products:

- Valves
- Couplings
- Hose Connectors
- Hydra-Oil
- Oil Cooler and Filtering System
- Oil Reservoir
- Tool Kits
- Pump/Motor Adapters



Pump/Motor Adapter

(Ordered Separately)



(Coupling ordered separately)

Part Number: A04-001-1202

For D-04 for use with NEMA 56C, 143/145TC C-Face motors.

Part Number: A04-002-1202

For D-04 for use with NEMA 182/184TC, 213/215TC C-Face motors.

Part Number: A04-003-1202

For G-04 for use with IEC 80-90 B5 flange motors.

Part Number: A04-004-1202

For G-04 for use with IEC 100-112 B5 flange motors.

See the Accessories Section for dimensions.

D/G-04 Series How To Order

Ordering Information

A complete model number contains 12 digits of customer-specified design options: for example D04XABTHFECC.

1	2	3	4	5	6	7	8	9	10	11	12
---	---	---	---	---	---	---	---	---	----	----	----

Digit	Order Code	Description
1-3		Pump Configuration
	D04	Shaft-driven (NPT ports)
	G04	Shaft-driven (BSPT ports)
4		Hydraulic End Cam
	X	Max 2.9 gpm (11.0 l/min) @ 1750 rpm
	E	Max 2.1 gpm (7.8 l/min) @ 1750 rpm
	S	Max 1.6 gpm (6.1 l/min) @ 1750 rpm
5		Pump Head Version
	A	Version A Pump Head (NPT ports)
	D	Version D Pump Head (BSPT ports)
6		Pump Head Material
	B	Brass
	R	304 Stainless Steel
	S	316 Stainless Steel
7		Diaphragm & O-ring Material
	G	Viton®-XT
	T	Buna-N-XS
8		Valve Seat Material
	D	Tungsten Carbide
	H	17-4 PH Stainless Steel
	N	Nitronic 50
9		Valve Material
	D	Tungsten Carbide
	F	17-4 PH Stainless Steel – Machined
	N	Nitronic 50
10		Valve Springs
	E	Elgiloy®
	S	316 Stainless Steel
	T	Hastelloy® C
11		Valve Spring Retainers
	C	Celcon
	H	17-7 PH Stainless Steel
	M	Kynar®
	P	Polypropylene
	Y	Nylon
12		Hydra-Oil
	G	5W30 standard & cold-temp severe duty oil
	K	20-wt food-contact oil

Replacement Hydraulic End Assembly

Complete D/G-04 Hydraulic End Assemblies are available as replacement items. The Hydraulic End contains all drive end components from the drive shaft up to and including the diaphragms. All Hydraulic Ends are factory tested and shipped with oil. To order a Replacement Hydraulic End, specify the desired Cam (Digit 4), the Diaphragm and O-ring Material (Digit 7), and the Hydra-Oil (Digit 12).

Part Number*

D04 4* XX 7* XXXX 12* G04 4* XX 7* XXXX 12*

* Order Code Digits 4, 7 and 12 must be filled in when ordering.