

D/G-15/17 Series

Up to 15 gpm (57 l/min)



Hydra-Cell[®]
SIMPLY BUILT TO LAST

D/G-15/17 Series Performance

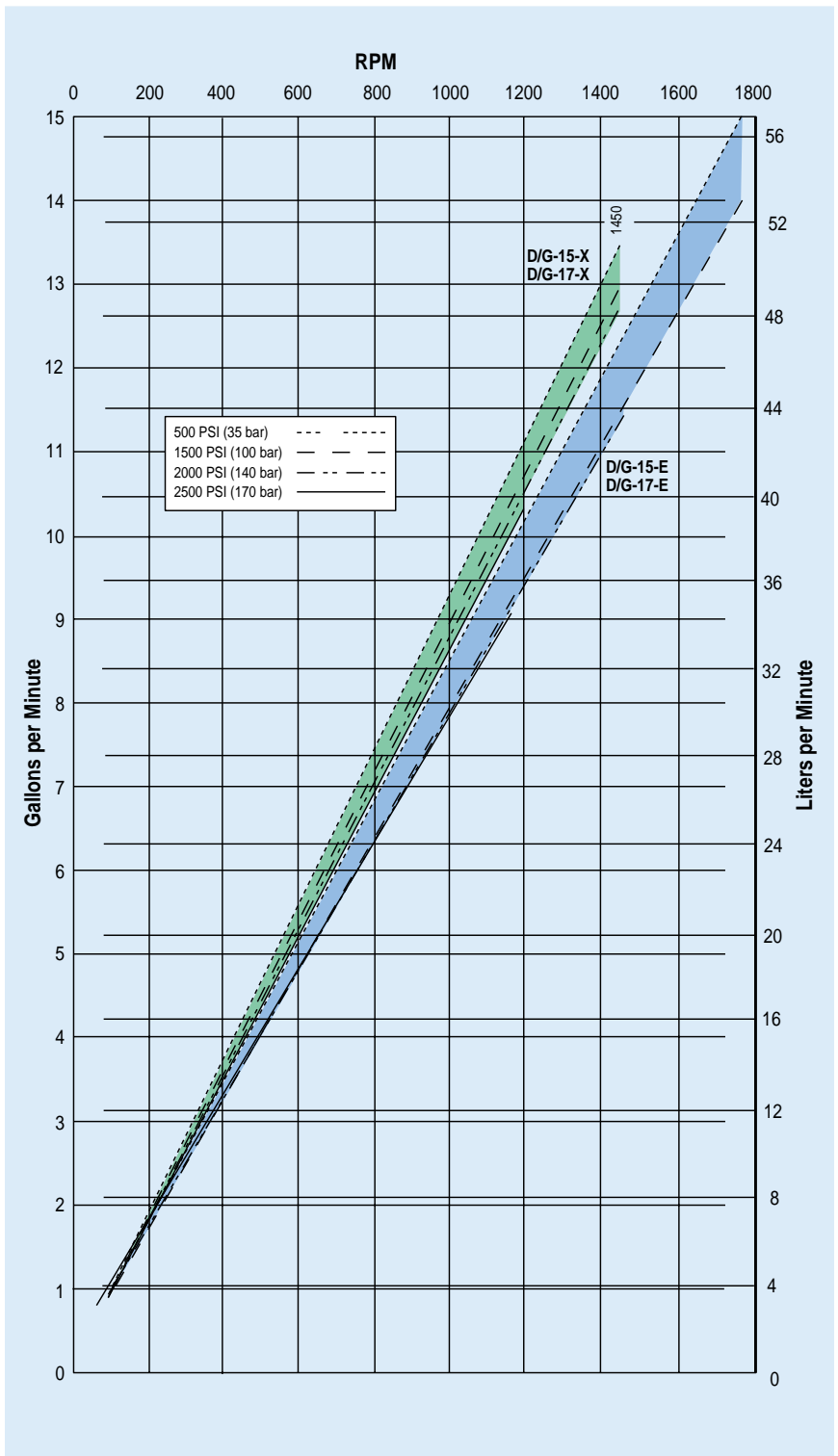
flow

model	max flow		max input rpm
	gpm	l/min	
D/G-15-X/D-17-X	13.4	50	1450
D/G-15-E/D-17-E	15.1	57	1750

pressure

Maximum Inlet Pressure:
500 psi (35 bar)

Pressure Variable To:
2500 psi (170 bar)



Calculating Required Horsepower (kW)**

$$\frac{80 \times \text{rpm}}{63,000} + \frac{\text{gpm} \times \text{psi}}{1,460 - \left(\frac{\text{psi}-500}{20}\right)} = \text{electric motor HP}$$

$$\frac{80 \times \text{rpm}}{84,428} + \frac{\text{lpm} \times \text{bar}}{511 - \left(\frac{\text{bar}-35}{4}\right)} = \text{electric motor kW}$$

**rpm equals pump shaft rpm. HP/kW is required application power. Use caution when sizing motors with variable speed drives.

D/G-15/17 Series Specifications

Max Pressure	1500 psi (100 bar) @ 1750 rpm (D/G-15-E and D/G-17-E only) 2000 psi (140 bar) @ 1450 rpm; 2500 psi (170 bar) @ 1150 rpm
---------------------	---

Capacity @ Rated Pressure

	@ Max RPM	psi	(bar)	gpm	l/min
D-15/17-X	1450	1000	(70)	13.4	50
	1450	1500	(100)	13.0	48
	1450	2000	(140)	12.7	48
	1150	2500	(170)	10.3	39
D-15/17-E	1750	1000	(70)	15.1	57
	1750	1500	(100)	14.1	53
	1450	2000	(140)	11.5	44
	1150	2500	(170)	9.4	35

Delivery @ Rated Pressure

	psi	(bar)	revs/gal	revs/liter
D-15/17-X	1000	(70)	109	28.8
	1500	(100)	112	29.6
	2000	(140)	114	30.2
	2500	(170)	112	29.6
D-15/17-E	1000	(70)	116	30.6
	1500	(100)	124	32.8
	2000	(140)	126	33.3
	2500	(170)	122	32.3

Max Inlet Pressure	500 psi (35 bar)
---------------------------	------------------

Max Temperature	250°F (121°C) – Consult factory for correct component selection for temperatures above 160°F (71°C)
------------------------	---

Inlet Port	D-15/17: 1-1/4 inch NPT G-15/17: 1-1/4 inch BSPT
-------------------	---

Discharge Port	D-15/17: 3/4 inch NPT G-15/17: 3/4 inch BSPT
-----------------------	---

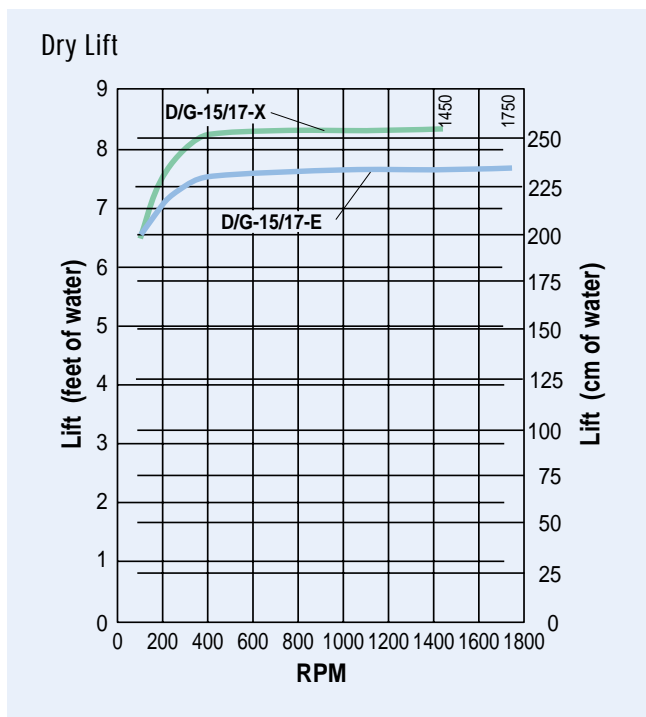
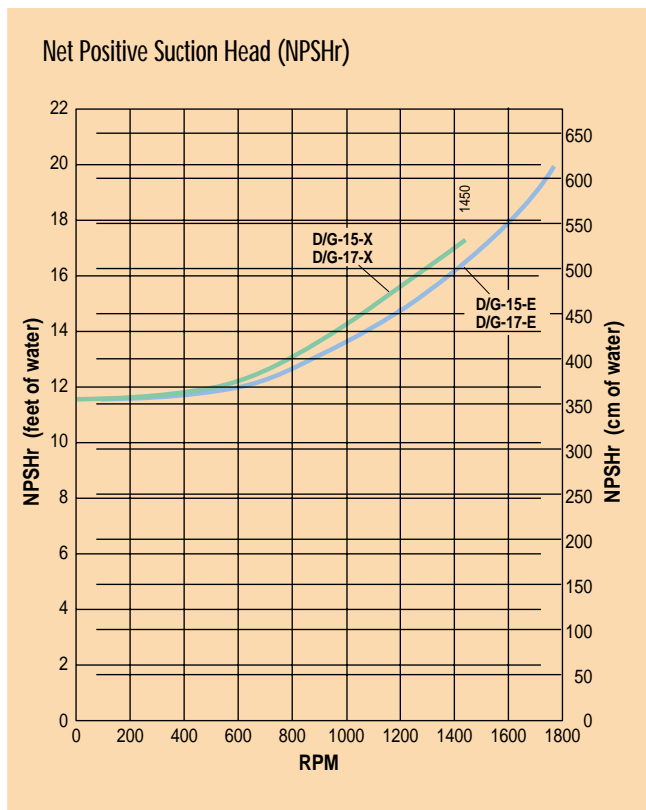
Shaft Diameter	1-1/8 inch (28.58 mm)
-----------------------	-----------------------

Shaft Rotation	Bi-directional
-----------------------	----------------

Bearings	Taper roller bearings
-----------------	-----------------------

Oil Capacity	2.2 U.S. quart (2.08 liters) see Accessories Section for oil selection and specification.
---------------------	---

Weight	145 lbs (66 kg)
---------------	-----------------



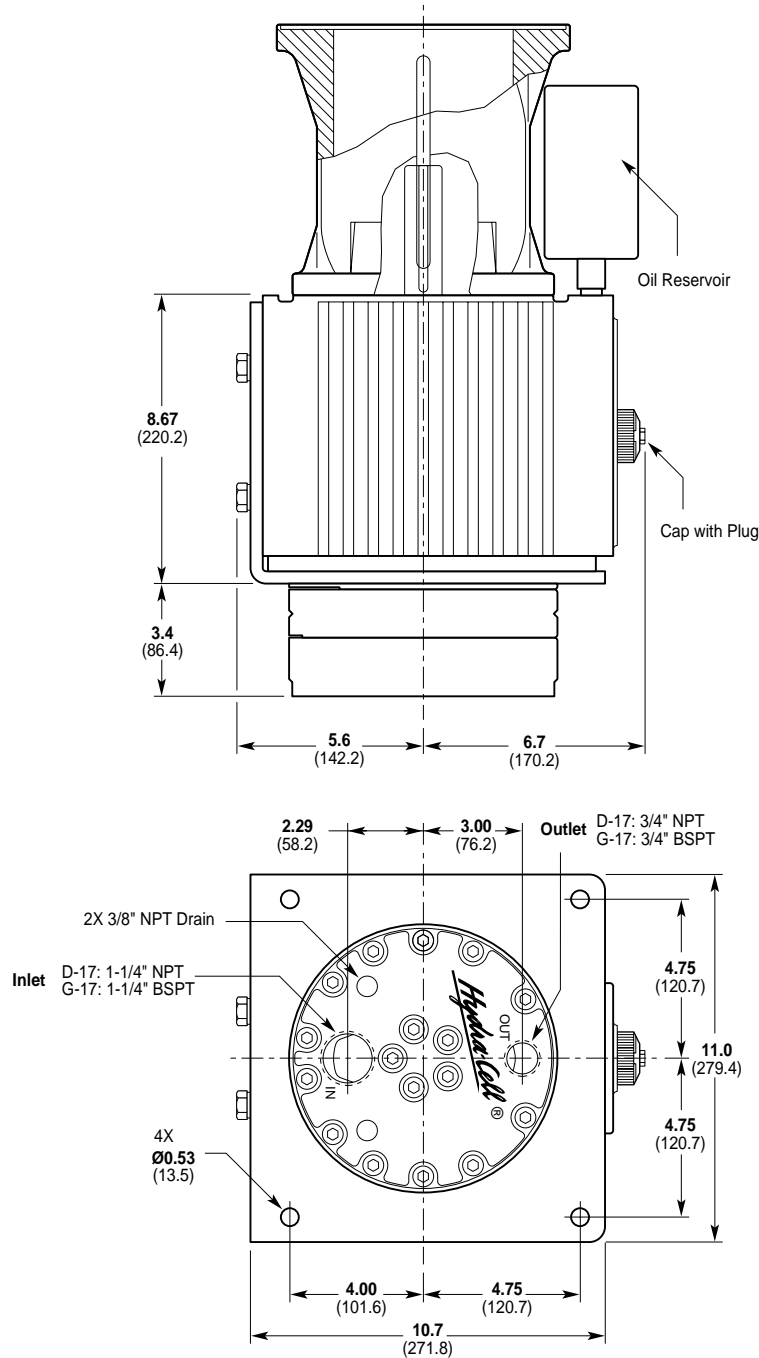
Refer to installation guidelines and design considerations section for additional information.

D/G-15/17 Series Dimensions

D/G-17 Models Vertical Mount

Brass
316 Stainless Steel

D/G-17 Pump/Motor Adapter flange ordered separately (see page 66 for part number ordering information)

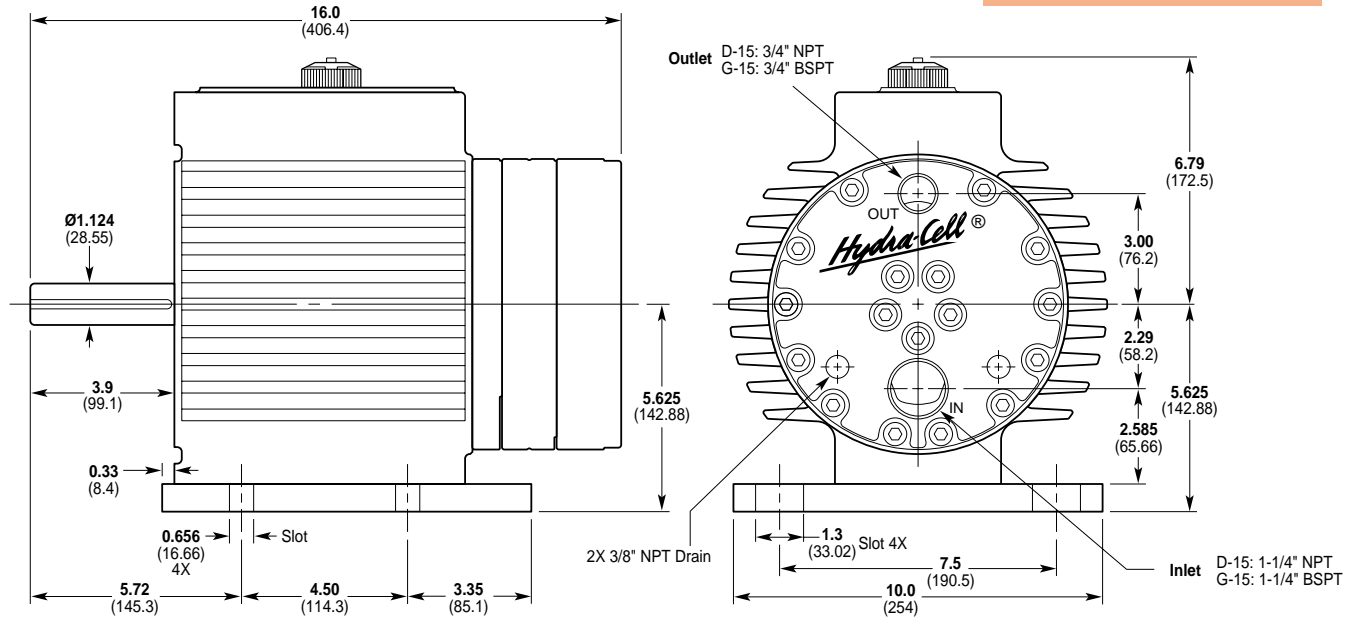


D/G-15/17 Series Dimensions

D/G-15 Models Horizontal Mount

Brass
316 Stainless Steel

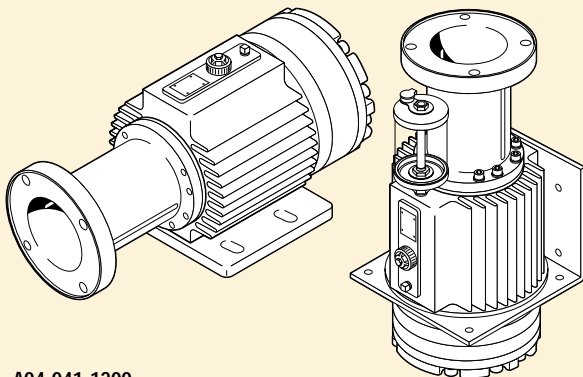
D/G-15 Pump/Motor Adapter flange ordered separately (see below for part number ordering information)



D-15/17 Series Accessories

Pump/Motor Adapter Kit

(Ordered Separately)



A04-041-1200

For D-15/17 for use with NEMA 182TC thru 256TC C-Face motors.

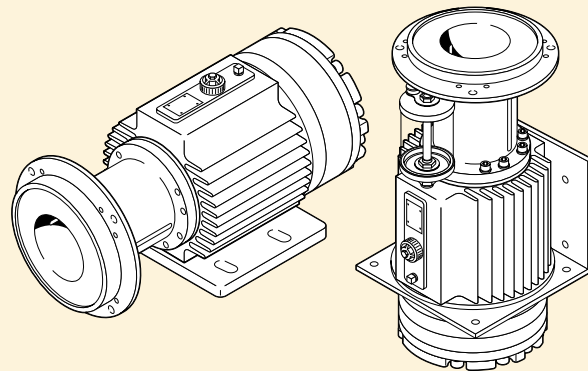
A04-041-1202

For D-15/17 for use with NEMA 284TC-286TC C-Face motors.

A04-041-1203

For G-15/17 for use with IEC 160 B14 Face motors.

(Coupling ordered separately)



A04-041-1201

For G-15/17 for use with IEC 132 B5 Flange motors.

A04-041-1205

For G-15/17 for use with IEC 160/180 B5 Flange motors.

See the Accessories Section for dimensions.

D/G-15/17 Series How To Order

Ordering Information

A complete model number contains 12 digits of customer-specified design options: for example D15XABTHFECC.

1	2	3	4	5	6	7	8	9	10	11	12
---	---	---	---	---	---	---	---	---	----	----	----

Digit	Order Code	Description
1-3		Pump Configuration
	D15	Horizontal shaft-driven (NPT ports)
	D17	Vertical shaft-driven (NPT ports)
	G15	Horizontal shaft-driven (BSPT ports)
	G17	Vertical shaft-driven (BSPT ports)
4		Hydraulic End Cam
	X	Max 13 gpm (49 lpm) @ 1450 rpm
	E	Max 15 gpm (56 lpm) @ 1750 rpm
5		Pump Head Version
	A	Version A Pump Head (NPT ports)
	D	Version A Pump Head (BSPT ports)
6		Pump Head Material
	B	Brass
	S	316 Stainless Steel
7		Diaphragm & O-ring Material
	G	Viton®-XT
	T	Buna-N-XS
8		Valve Seat Material
	D	Tungsten Carbide
	H	17-4 PH Stainless Steel
	N	Nitronic 50
9		Valve Material
	D	Tungsten Carbide
	F	17-4 PH Stainless Steel – Machined
	N	Nitronic 50
10		Valve Springs
	E	Elgiloy®
	T	Hastelloy® C
11		Valve Spring Retainers
	C	Celcon
	H	17-7 PH Stainless Steel
	M	Kynar®
	P	Polypropylene
	Y	Nylon (Zytel)
12		Hydra-Oil
	A	10W30 standard duty oil
	B	40-wt for continuous duty (use with 316 SST or Hastelloy® pump head)
	E	30-wt food-contact oil
	F	40-wt high-temp food-contact oil
	G	5W30 cold-temp severe duty oil

Replacement Hydraulic End Assembly

Complete D/G-15/17 Hydraulic End Assemblies are available as replacement items. The Hydraulic End contains all drive end components from the drive shaft up to and including the diaphragms. All Hydraulic Ends are factory tested and shipped with oil. To order a Replacement Hydraulic End, specify the desired Cam (Digit 4), the Diaphragm and O-ring Material (Digit 7), and the Hydra-Oil (Digit 12).

Part Number*

D15 4* XX 7* XXXX 12* G15 4* XX 7* XXXX 12*

D17 4* XX 7* XXXX 12* G17 4* XX 7* XXXX 12*

* Order Code Digits 4, 7 and 12 must be filled in when ordering.

Options, Accessories and Custom Designs

See the Accessories Section for complete information on these other products:

- Valves
- Couplings
- Hose Connectors
- Hydra-Oil
- Oil Cooler and Filtering System
- Oil Reservoir
- Tool Kits
- Pump/Motor Adapters

